

# VE Electric Vibrator

Powtek **VE3 / 900** vibrator series is designed for those applications requiring extremely high amplitude.

All units are continuous duty even at maximum force output.

Force output is precisely adjustable from 20% to 100%.



## VE3 900 RPM Three-Phase

### PERFORMANCE DATA

MODEL	FORCE OUTPUT	UNBALANCE	HP	AMP DRAW 460 V	AMP DRAW 230 V	STARTUP CURRENT MULTIPLIER	FRAME	WEIGHT
	lbs	in -lbs	h.p.	Amps	Amps			lbs
VE3/9/380	396	16	0.30	0.51	1.02	1.8	03	57
VE4/9/550	561	24	0.40	0.65	1.3	2.25	04-A	76
VE3/9/850	871	38	0.48	0.75	1.5	2.5	04-B	90
VE3/9/1500	1646	72	0.67	1.2	2.4	2.6	15-A	125
VE3/9/2000	2405	105	0.80	1.4	2.8	2.7	15-B	154
VE3/9/3000	3245	141	1.47	2.3	4.6	3.5	20	209
VE3/9/3900	3993	173	1.55	2.4	4.8	3.3	20	238
VE3/9/5000	5166	225	2.41	3.9	7.8	3.8	30	304
VE3/9/8000	8140	354	3.22	5.3	10.6	4.6	50	422
VE3/9/12000	12423	540	6.70	8.8	17.6	3.6	70	603
VE3/9/15000	15239	667	8.72	10.5	21	3.3	70-B	697
VE3/9/18000	17224	749	9.4	11.2	22.4	3.5	120-A	880
VE3/9/21000	21399	930	10.7	13	26	3.2	120-B	1034
VE3/9/24000	23923	1040	11.4	13.4	27	3.4	120-C	1067
VE3/9/30000	30800	1310	13.1	17.4	35	5.4	150-A	1507
VE3/9/40000	39310	1710	15.5	21	42	5.9	150-B	1573
VE3/9/50000	54670	2377	18.5	24.4	49	5.6	200	2134

POWTEK

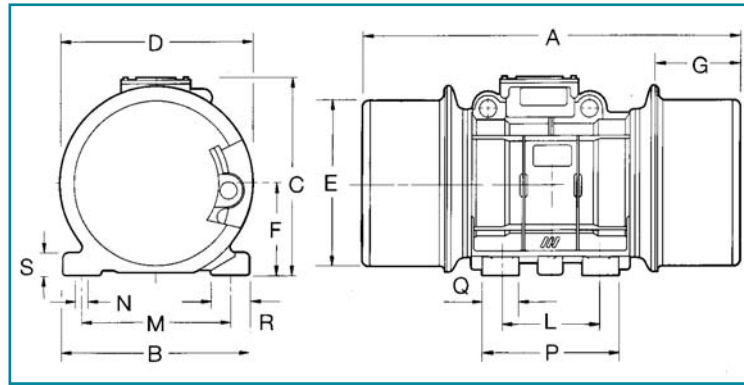


The **VE3 / 900** is widely used with **vibratory screeners** for product sizes usually larger than 2"

**fluidized bed driers and grinding mills**



# DIMENSIONS



DIMENSIONS															
MODEL	A	B	C	D	E	F	G	L	M	N	P	Q	R	S	BOLT HOLE NBR
VE3/9/380	13.78	7.48	8.07	7.36	5.94	3.35	3.35	3.94	6.30	0.51	5.35	1.30	1.57	0.63	4
VE4/9/550	13.98	8.27	9.29	8.50	7.13	3.98	2.80	4.72	6.70	0.67	6.30	1.57	1.69	0.79	4
VE3/9/850	16.34	8.27	9.29	8.50	7.13	3.98	3.98	4.72	6.70	0.67	6.30	1.57	1.69	0.79	4
VE3/9/1500	19.21	9.65	10.24	10.16	8.62	4.80	4.21	5.51	7.48	0.67	7.48	1.57	1.77	0.98	4
VE3/9/2000	21.42	9.65	10.24	10.16	8.62	4.80	5.31	5.51	7.48	0.67	7.48	1.57	1.77	0.98	4
VE3/9/3000	22.83	10.83	12.20	10.94	9.41	5.20	5.35	6.10	8.86	0.83	8.07	1.97	2.17	1.18	4
VE3/9/3900	25.00	10.83	12.20	10.94	9.41	5.20	6.26	6.10	8.86	0.83	8.07	1.97	2.17	1.18	4
VE3/9/5000	24.02	12.80	13.54	12.80	11.14	6.18	5.39	6.14	10.08	0.91	8.66	2.17	2.36	1.38	4
VE3/9/8000	27.44	13.39	14.72	13.98	12.17	6.77	6.30	7.09	11.02	0.98	9.45	2.36	2.56	1.57	4
VE3/9/12000	30.79	15.35	16.26	15.67	13.66	7.52	6.97	7.87	12.6	1.10	11.02	2.95	3.07	1.77	4
VE3/9/15000	33.31	15.35	16.26	15.67	13.66	7.52	7.95	7.87	12.6	1.10	11.02	2.95	3.07	1.77	4
VE3/9/18000	34.65	17.91	17.64	18.11	16.18	8.86	8.07	5.12 * 2	14.76	1.26	13.39	3.39	3.27	1.97	6
VE3/9/21000	35.43	17.91	17.64	18.11	16.18	8.86	8.07	5.12 * 2	14.76	1.26	13.39	3.39	3.27	1.97	6
VE3/9/24000	35.43	17.91	17.64	18.11	16.18	8.86	8.07	5.12 * 2	14.76	1.26	13.39	3.39	3.27	1.97	6
VE3/9/30000	37.44	22.64	21.65	21.46	19.57	10.63	6.61	5.51 * 3	18.90	1.77	20.47	3.54	3.94	1.77	8
VE3/9/40000	39.96	22.64	21.65	21.46	19.57	10.63	8.58	5.51 * 3	18.90	1.77	20.47	3.54	3.94	1.77	8
VE3/9/50000	43.30	24.21	23.62	23.42	21.30	11.81	8.66	5.51 * 3	20.47	1.77	21.45	3.54	3.94	1.97	8

## FEATURES

*Housing is in a ductile cast iron that combines high structural strength with remarkable mechanical flexibility.*

*Core laminations are with low energy loss to help motor not to overheat during operation*

*Coating is highly resistant to impacts, corrosion and a variety of harmful chemical agents.*

*Units use uniquely oversized bearings designed to carry large axial and radial forces.*

*All units are with roller bearing with grease fittings reaching both sides of the bearing. No more dry bearings in vertical applications.*



**POWTEK**  
INDUSTRIAL VIBRATORS

2500 PEARL BUCK ROAD - SUITE I  
BRISTOL, PA 19007  
TEL: 215-788-2888 FAX: 215-788-2883  
[powtek@comcast.net](mailto:powtek@comcast.net)  
[www.powtek.us](http://www.powtek.us)

