

Features

All housing and parts in contact are in **Stainless Steel 316L**

Sanitary Finishing

There is **no paint** that can **flake off**.

Noise level never exceeds **75 dba**

Bearings come pre-greased, **no lubrication** required.

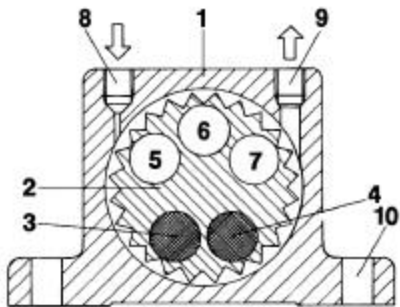
Max **temperature: 250° F**

Special High temperature series **GT-SS/HT** can reach up to **500° F**

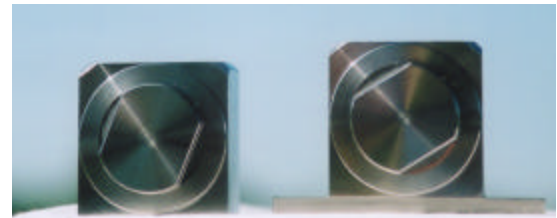
Design

The vibration is produced by the centrifugal force of the positive and negative unbalanced moments in the rotor.

The rotor is supported on two heavy duty, prelubricated, matched shielded ball bearings. Special long life grease ensures a long working life.



1. Stainless Steel 316L body
2. Hardened aluminum rotor.
- 3-4 . Brass weights.
- 5-6-7. Cavities giving negative moment.
10. Standard bolt holes.
8. BSP tapped air inlet.
9. BSP tapped air exhaust.



Benefits

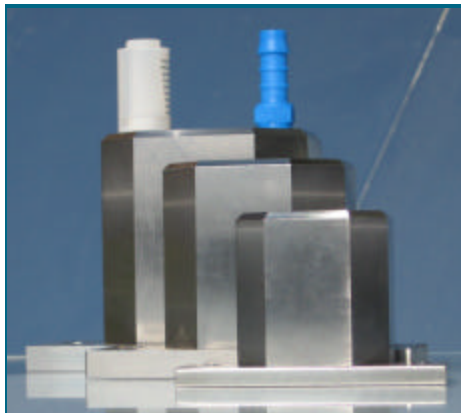
Stainless Steel body construction and absence of airline lubrication allows use in many special environments such as food, chemical and pharmaceutical industries.

Can operate under very adverse conditions such as grit, water, rust, heat and cold.

Will not rust in extremely humid conditions.

Withstands highly corrosive conditions.

No contamination. Being oil free, there is no oil mist which can be discharged in the surrounding air.



APPLICATIONS

With 316L construction these special vibrators are ideal for the most demanding conditions.

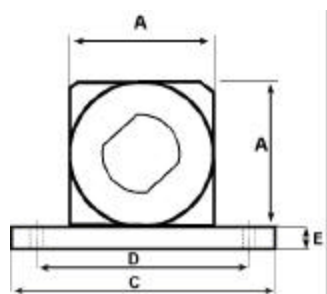
Environments

Contamination free
Corrosion free
Easy cleaning

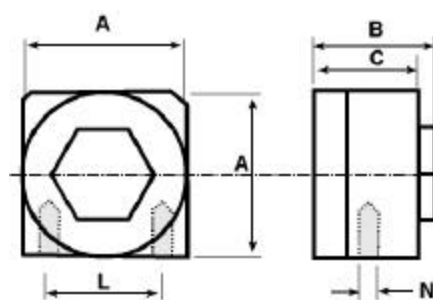
Industries

Food
Chemical
Pharmaceutical

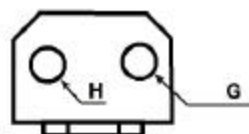
PERFORMANCE DATA									
MODEL	FREQUENCY			FORCE OUTPUT			AIR CONSUMPTION		
	30 PSI	60 PSI	90 PSI	30 PSI	60 PSI	90 PSI	30 PSI	60 PSI	90 PSI
	vpm	vpm	vpm	lbs	lbs	lbs	cfm	cfm	cfm
GT 10 SS	27000	34000	37000	190	290	520	2	3	4
GT 16 SS	16000	21000	23000	290	450	700	4	7	10
GT 25 SS	12000	16000	18000	450	780	990	6	12	16



WITH BASE



WITH NO BASE



DIMENSIONS											
MODEL	A	B	C	D	E	F	G/H	L	N	P	Weight
GT 10 SS	1.93"	1.45"	3.39"	2.68"	0.27"	0.28"	1/8"	1.42"	M 6	1.26"	1.5 lbs
GT 16 SS	2.52"	1.77"	4.33"	3.54"	0.39"	0.35"	1/4"	1.89"	M 8	1.53"	2.2 lbs
GT 25 SS	3.07"	2.16"	4.96"	4.09"	0.39"	0.35"	1/4"	2.36"	M 10	1.93"	4.0 lbs

POWTEK

2500 PEARL BUCK RD. - SUITE I BRISTOL, PA 19007
 TEL: 215-788-2888 FAX: 215-788-2883
powtek@powtekcorp.com www.powtekcorp.com