

VE3/36/120 Electric Vibrator

POWTEK VE3/36/120 is a very popular vibrator used in a variety of flow aid applications.

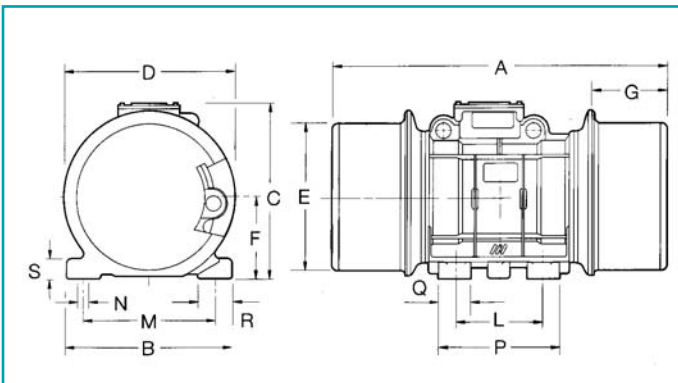
It is commonly used as a bin vibrator for products ranging from 500 to 2000 lbs in the bin's cone. Hoppers with cement, plastic or food materials use often this model.

With a relatively low weight of 20 lbs the VE3/36/120 is able to produce a force output ranging from 55 to 167 lbs.

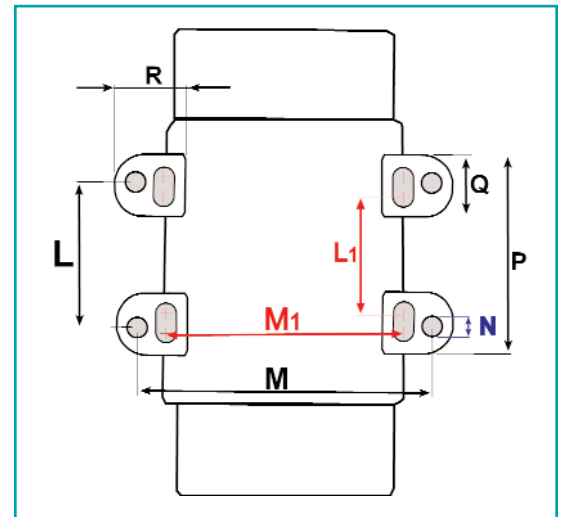
The superior HP/force output ratio allows the usage in many severe & demanding applications.



DIMENSIONS

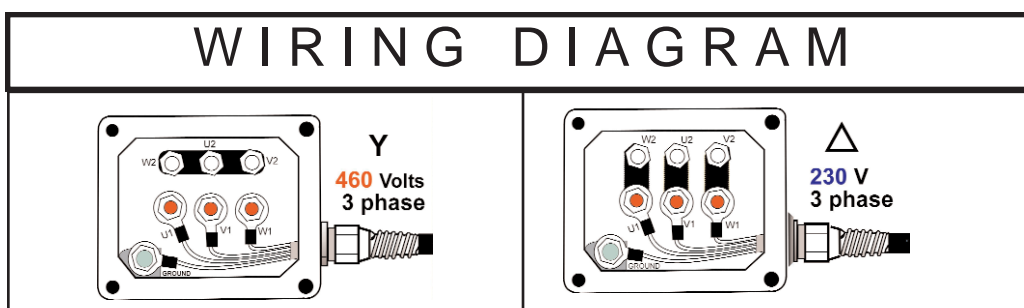


	A	B	C	D	E	F	S
Inches	8.34"	5.90"	5.70"	4.45"	4.13"	2.36"	0.39"
mm	212	150	150	132	105	59	22



L	M	L1	M1	N	P	Q	R
2.75"	5.12"	2.44-2.91"	4.17"	0.35"	2.49"	1.18"	1.37"
70	130	62-74	106	M8	98	30	35

WIRING DIAGRAM

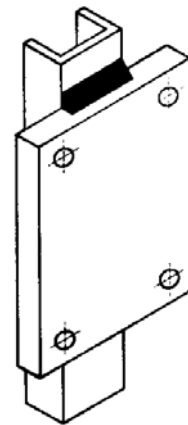


PERFORMANCE DATA

Force Output Max	lbs	167
Force Output Min	lbs	55
Input Power	h.p.	0.22
Input Power	watts	165
Weight	lbs	11
Weight	Kg	4.6
Speed	rpm	3600
Bearing Type		6302



VE3/36/660 TECHNICAL INFO	
Housing	Cast Aluminum
End Bells	Carbon steel (or stainless upon request)
Voltage	230 - 460 volts
Amp Draw	0.56 - 0.28 amps
Service ratings	Continuous
Cable grip size	M 16 x 1.5
Suggested mounting bolt size	4 x M8 (5/16")
C-Channel size (min)	3"
Plate thickness (min)	1/4"



POWTEK

INDUSTRIAL VIBRATORS

2500 Pearl Buck Road- Suite I
Bristol, PA-19007

TEL: 215-788-2888 FAX: 215-788-2883

powtek@comcast.net

www.powtek.us