

VE 1200 rpm Electric Vibrator

Powtek vibrator **1200 rpm** series is designed for those applications requiring higher amplitude.

Vibratory feeders, drum product densification, filling stations and foundry shake-outs make large use of this vibrator.

All units are continuous duty even at maximum force output.
Force output precisely adjustable from 30% to 100%.



VE3 1200 RPM Three-Phase

PERFORMANCE DATA

MODEL	FORCE OUTPUT	UNBALANCE	HP	AMP DRAW 460 V	AMP DRAW 230 V	STARTUP CURRENT MULTIPLIER	FRAME	WEIGHT
	lbs	in -lbs	h.p.	Amps	Amps			lbs
VE3/12/110	110	2.7	0.12	0.35	0.7	1.6	1	12
VE3/12/220	220	5.4	0.21	0.43	0.86	1.8	2	24
VE3/12/545	560	14	0.38	0.54	1.08	2.6	3	54
VE3/12/550	560	14	0.38	0.54	1.08	2.6	3	54
VE3/12/695	704	17	0.40	0.56	1.12	2.5	3	73
VE3/12/700	704	17	0.40	0.56	1.12	2.5	3	73
VE3/12/980	999	24	0.47	0.68	1.36	3.0	4-A	100
VE3/12/1250	1248	31	0.62	0.95	1.9	3.3	4-B	105
VE3/12/2000	2044	50	1.07	1.3	2.6	4.4	15-A	117
VE3/12/2800	2926	71	1.21	1.6	3.2	4.7	15-B	139
VE3/12/3300	3601	88	1.35	2.2	4.4	4	15-B	150
VE3/12/4000	4382	107	1.88	2.3	4.6	4.8	20	189
VE3/12/6000	7190	175	2.68	4.2	8.4	5.2	30	288
VE3/12/10000	11033	269	3.75	5	10	6.0	50	398
VE3/12/15000	14480	353	8.04	9.5	19	5.3	70	550
VE3/12/18000	18700	456	11.4	13	26	4.8	70-B	636
VE3/12/18700	18700	456	11.4	13	26	4.8	120-A	781
VE3/12/20000	20926	510	12	14	28	4.7	120-B	825
VE3/12/25000	27093	661	14	16	33	5.5	120-C	979
VE3/12/44000	44222	1078	25	28	56	5.2	200	1958

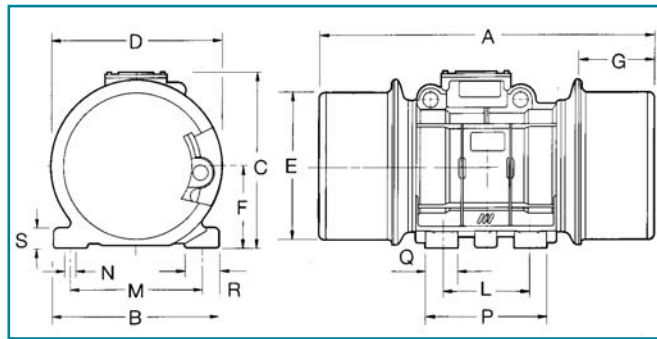


The **VE3 / 1200** is widely used with **vibratory screeners** for product sizes ranging between 3/4" and 2"

and with **vibratory feeders** that require high G force and lower tonnage rate



DIMENSIONS



DIMENSIONS

MODEL	A	B	C	D	E	F	G	L	L ₁	M	M ₁	N	P	Q	R	S	BOLT HOLE NBR
VE3/12/110	9.06	5.91	5.71	5.12	4.13	2.36	2.17	2.76	2.44-2.91	5.12	4.17	0.35	3.9	1.18	1.38	0.39	4
VE3/12/220	11.73	6.54	7.28	6.30	5.12	2.95	2.72	3.54	3.54	4.92	5.51	0.51	4.72	1.18	1.57	0.47	4
VE3/12/545	13.78	7.48	8.07	7.36	5.94	3.35	3.35	3.94		6.30		0.51	5.35	1.30	1.57	0.63	4
VE3/12/550	13.78	7.48	8.07	7.36	5.94	3.35	3.35	4.13		5.51		0.51	5.35	1.30	1.57	0.63	4
VE3/12/695	13.78	7.48	8.07	7.36	5.94	3.35	3.35	3.94		6.30		0.51	5.35	1.30	1.57	0.63	4
VE3/12/700	13.78	7.48	8.07	7.36	5.94	3.35	3.35	4.13		5.51		0.51	5.35	1.30	1.57	0.63	4
VE3/12/980	13.98	8.27	9.29	8.50	7.13	3.98	2.80	4.72		6.70		0.67	6.30	1.57	1.69	0.79	4
VE3/12/1250	16.34	8.27	9.29	8.50	7.13	3.98	3.98	4.72		6.70		0.67	6.30	1.57	1.69	0.79	4
VE3/12/2000	19.21	9.65	10.24	10.16	8.62	4.80	4.21	5.51		7.48		0.67	7.48	1.57	1.77	0.98	4
VE3/12/2800	21.42	9.65	10.24	10.16	8.62	4.80	5.31	5.51		7.48		0.67	7.48	1.57	1.77	0.98	4
VE3/12/3300	22.52	9.65	10.24	10.16	8.62	4.80	5.87	5.51		7.48		0.67	7.48	1.57	1.77	0.98	4
VE3/12/4000	22.83	10.83	12.20	10.94	9.41	5.20	5.35	6.10		8.86		0.83	8.07	1.97	2.17	1.18	4
VE3/12/6000	24.02	12.80	13.54	12.80	11.14	6.18	5.39	6.10		10.04		0.91	8.66	2.17	2.36	1.38	4
VE3/12/10000	27.44	13.39	14.72	13.98	12.17	6.77	6.30	7.09		11.02		0.98	9.45	2.36	2.56	1.57	4
VE3/12/15000	30.79	15.35	16.26	15.67	13.66	7.52	6.97	7.87		12.6		1.10	11.02	2.95	3.07	1.77	4
VE3/12/18000	33.31	15.35	16.26	15.67	13.66	7.52	7.95	7.87		12.6		1.10	11.02	2.95	3.07	1.77	4
VE3/12/18700	34.65	17.91	17.64	18.11	16.18	8.86	8.07	10.24		14.76		1.26	13.39	3.39	3.27	1.97	6
VE3/12/20000	34.65	17.91	17.64	18.11	16.18	8.86	8.07	10.24		14.76		1.26	13.39	3.39	3.27	1.97	6
VE3/12/25000	36.06	17.91	17.64	18.11	16.18	8.86	8.07	10.24		14.76		1.26	13.39	3.39	3.27	1.97	6
VE3/12/44000	43.30	24.21	23.62	23.42	21.30	11.81	8.66	16.55		20.47		1.77	21.45	3.54	2.54	1.97	8

FEATURES

Housing is in a ductile cast iron that combines high structural strength with remarkable mechanical flexibility.

End covers are sealed with o-rings to protect from dust and water

Coating is highly resistant to impacts, abrasion and is able to withstand a variety of harmful chemicals.

Units use uniquely oversized bearings designed to carry large axial and radial forces.

All units from size 2000 and larger are supplied with roller bearings with grease fittings reaching both sides of the bearing. No more dry bearings in vertical applications.

with vibratory tables



with tubular feeders



POWTEK

INDUSTRIAL VIBRATORS

2500 PEARL BUCK RD - SUITE I
BRISTOL, PA 19007
TEL: 215-788-2888 FAX: 215-788-2883
powtek@comcast.net
www.powtek.us